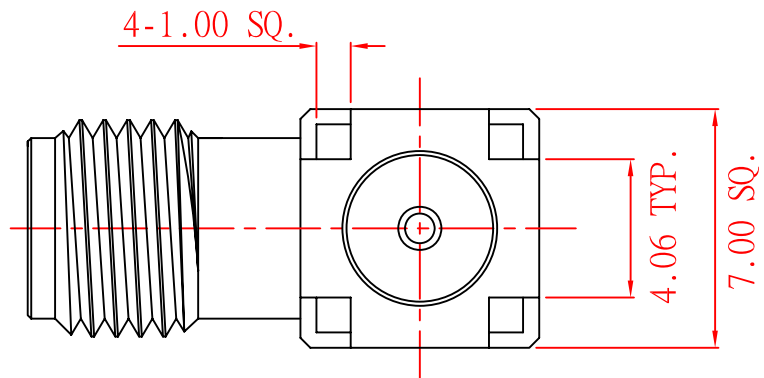
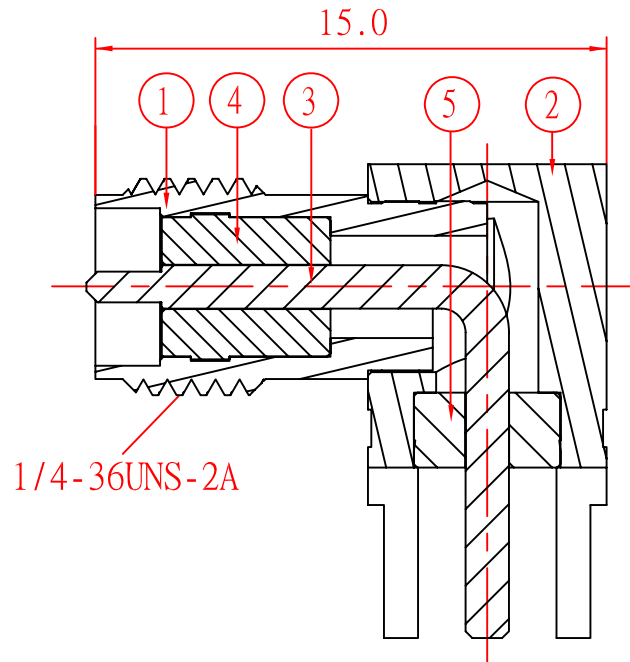



RECOMMEND P.C.B. MOUNT



NO	QTY	PART NO	DESCRIPTION	MATERIAL	FINISH	DATE	TOLERANCE	DESCRIPTION
1	1		BODY	BRASS	GOLD PLATED	2013/04/09	DIM : .X±0.25MM .XX±0.12MM	RP SMA R/A JACK FOR P.C.B
2	1		BODY	BRASS	GOLD PLATED	UNIT MM		
3	1		CONTACT	BRASS	GOLD PLATED	DRAWING	APPROVE BY	PART NO :
4	1		INSULATOR	TEFLON	NONE	Leon	John	1-3104-008N000
5	1		INSULATOR	TEFLON	NONE			
						 連科電子股份有限公司 Connectec Electronics Co., Ltd.		